

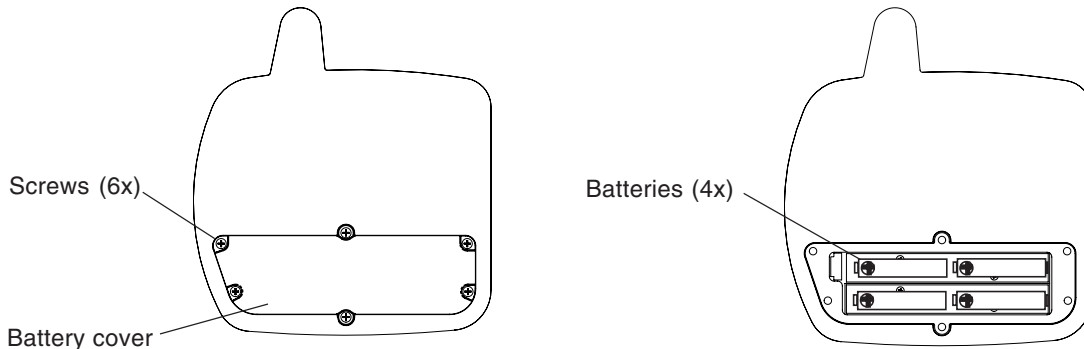
EasyTouch™ Wireless control panel battery cover and gasket Replacement Kit (P/N 520780) Instructions

(Used for EasyTouch Wireless control panel)

Use the following instructions to replace the battery cover and gasket on the EasyTouch Wireless control panel. The kit parts include; battery cover (p/n 520650), gasket (p/n 520649), and six screws (p/n 520738). For more information about the wireless device, refer to the EasyTouch Wireless control panel User's Guide (P/N 520688).

STEP 1: Remove battery cover and batteries

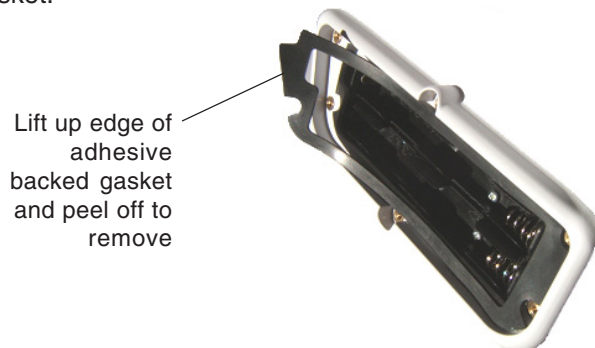
Place the EasyTouch control panel face down on a flat clean surface. Remove the six screws securing the battery cover. Discard the cover. Remove the four batteries from the device and set aside.



Easy Touch Wireless Control Panel (rear view)

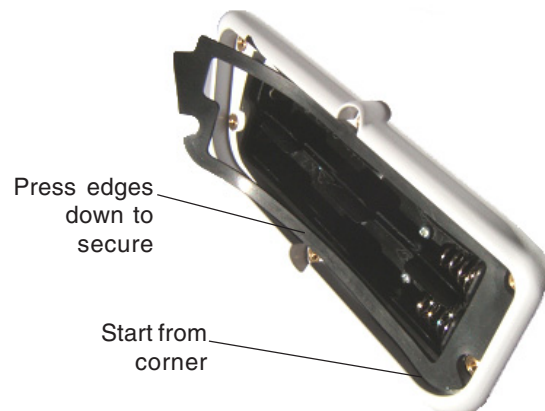
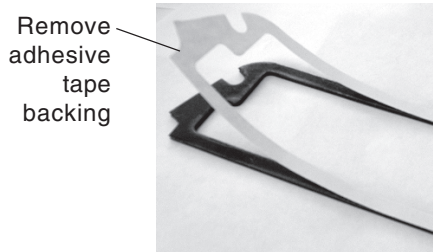
STEP 2: Remove gasket

Using a small flat blade screwdriver, pry up one of the corners of the adhesive backed gasket until the edge is raised up enough to grasp it. Carefully lift up the gasket and remove it from the battery compartment. Discard the gasket.



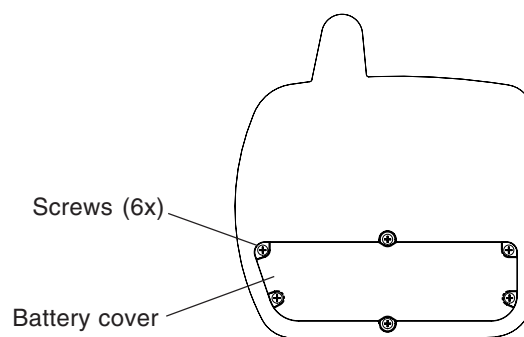
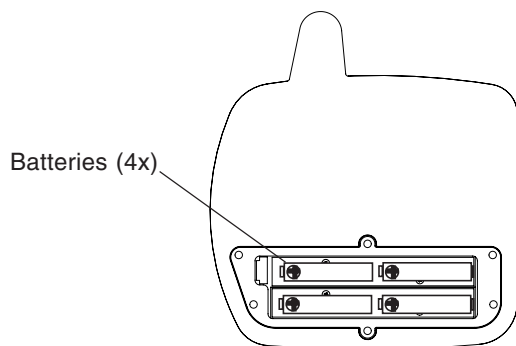
STEP 3: Install replacement gasket

1. Peel of the adhesive tape backing from the replacement gasket. With the adhesive side facing down, starting from the corner of the battery compartment, orient the gasket into position. Carefully press down along the gasket edge to secure in place.



STEP 4: Install replacement battery cover and batteries

2. Load the four batteries into the battery compartment. Orient the positive polarity end of each battery as shown below.
3. Install the battery cover and secure with the six screws. Make sure that the battery cover is secure and that all the screws are hand tightened. **CAUTION - DO NOT OVERTIGHTEN THE SCREWS. OVERTIGHTENING THE SCREWS CAN DAMAGE THE UNIT.**



STEP 5: Power up device

4. **Power up the device:** To switch the device on, press the **Power On** button located on the front of the device.
5. **Display messages after replacing batteries:** After replacing depleted batteries a check battery message is displayed on the screen. Press the **MENU** button to continue.
6. The screen will then display a second message to check the battery cover. After checking that the battery cover is secure and that all screws are tightened, press the **MENU** button.
The battery icon should display the fully charged icon (■). The device is ready for use.